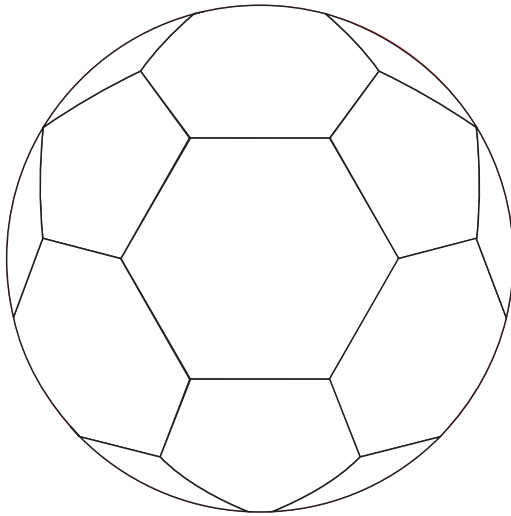
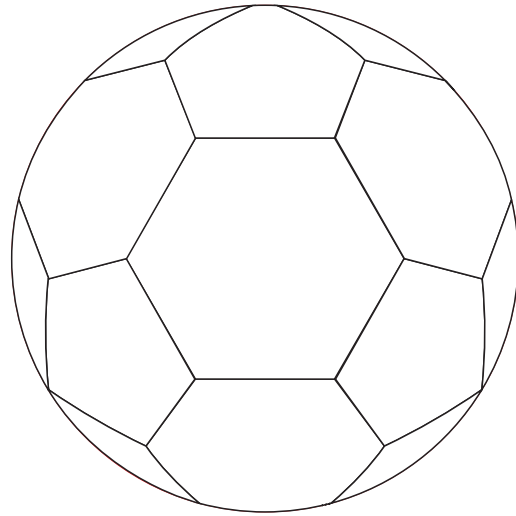




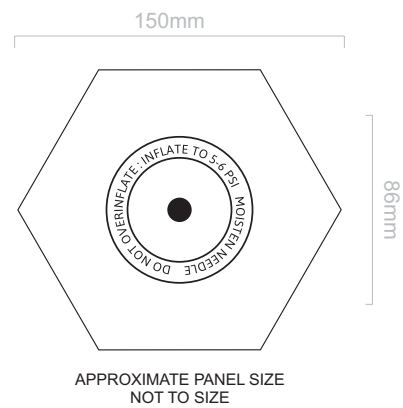
10% of Approximate Size
Screen print



SIDE 1



SIDE 2

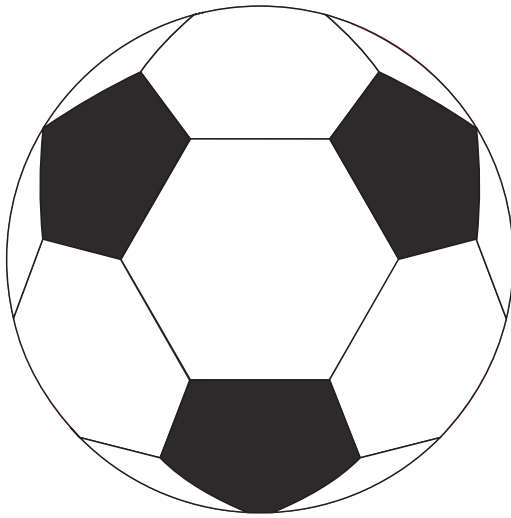


BRANDING SPECIFICATION - Soccer Ball Pro - 117251

The design template can be customised to the required PMS colour.
Inflation Details can be positioned anywhere on the product and is also fully custom in regards to the size, font and colour.
All 32 panels are printable - 1 panel will have the valve located in the middle of the panel.



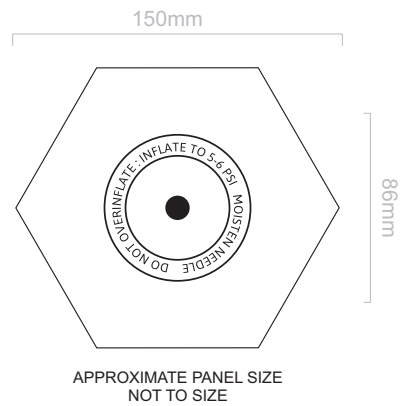
10% of Approximate Size
Screen print



SIDE 1



SIDE 2

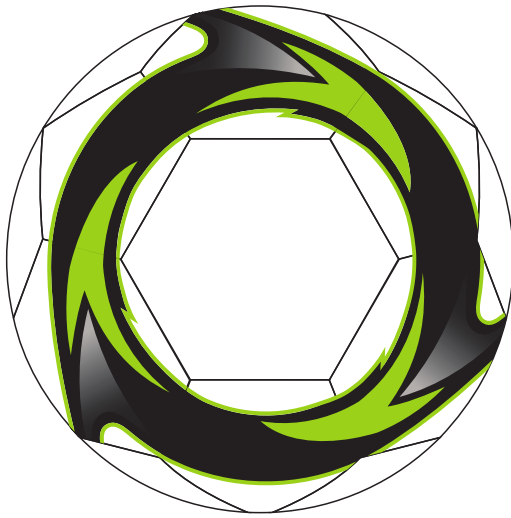


BRANDING SPECIFICATION - Soccer Ball Pro - 117251

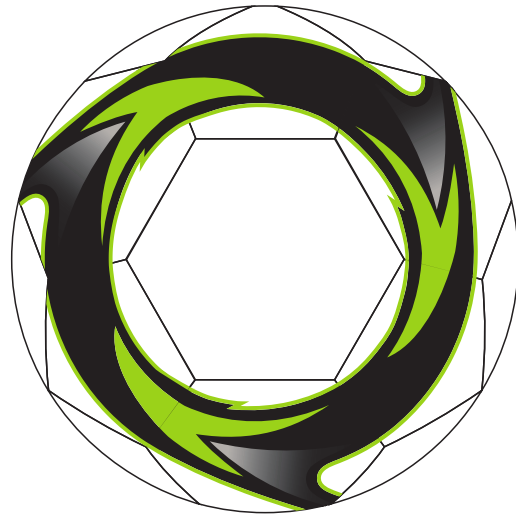
The design template can be customised to the required PMS colour.
Inflation Details can be positioned anywhere on the product and is also fully custom in regards to the size, font and colour.
All 32 panels are printable - 1 panel will have the valve located in the middle of the panel.



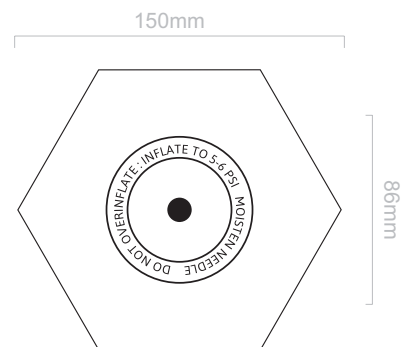
10% of Approximate Size
Screen print



SIDE 1



SIDE 2



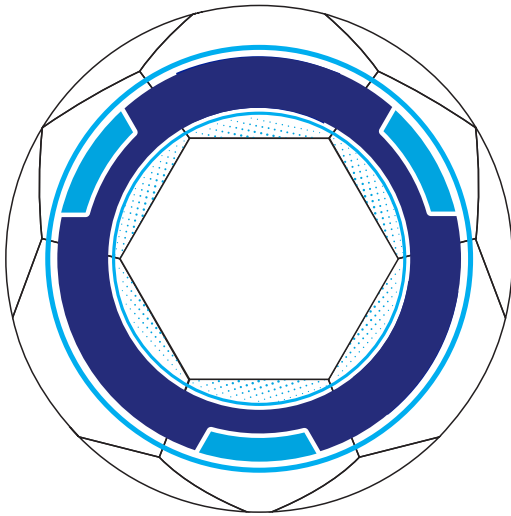
APPROXIMATE PANEL SIZE
NOT TO SIZE

BRANDING SPECIFICATION - Soccer Ball Pro - 117251

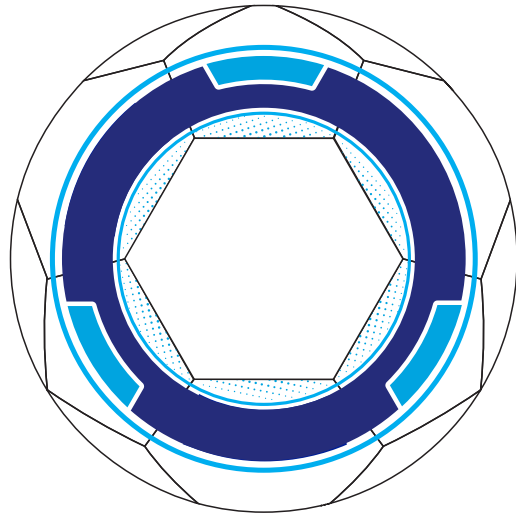
The design template can be customised to the required PMS colour.
Inflation Details can be positioned anywhere on the product and is also fully custom in regards to the size, font and colour.
All 32 panels are printable - 1 panel will have the valve located in the middle of the panel.



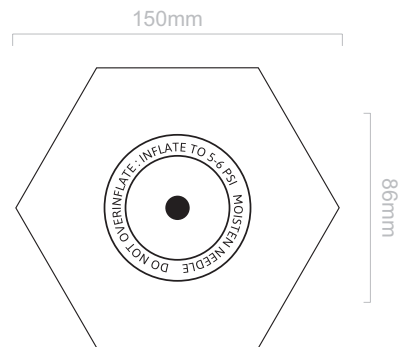
10% of Approximate Size
Screen print



SIDE 1



SIDE 2



APPROXIMATE PANEL SIZE
NOT TO SIZE

BRANDING SPECIFICATION - Soccer Ball Pro - 117251

The design template can be customised to the required PMS colour.
Inflation Details can be positioned anywhere on the product and is also fully custom in regards to the size, font and colour.
All 32 panels are printable - 1 panel will have the valve located in the middle of the panel.